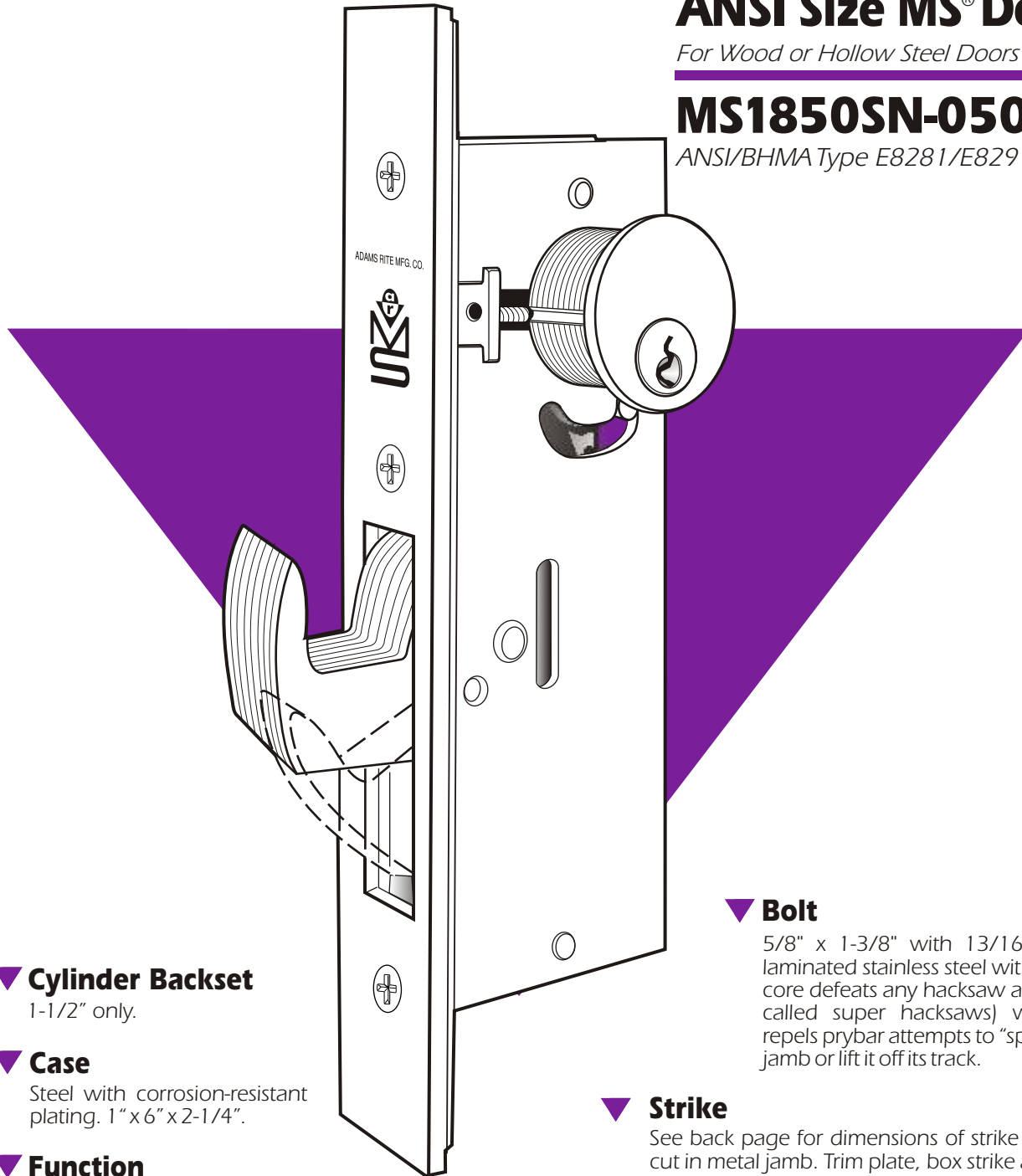


## ANSI Size MS® Deadbolt

For Wood or Hollow Steel Doors - 1-1/4" x 8" Faceplate

### MS1850SN-050 Series

ANSI/BHMA Type E8281/E8291 (Grade 1)



#### ▼ Cylinder Backset

1-1/2" only.

#### ▼ Case

Steel with corrosion-resistant plating. 1" x 6" x 2-1/4".

#### ▼ Function

For hollow metal or wood sliding doors prepared for hardware according to the specifications of the American National Standards Institute, this MS® deadbolt provides maximum security and ease of installation. Its standard 1-1/2" backset dimension provides adequate clearance for the deep jamb "pocket" of many commercial and industrial entrances. Also useful for swinging doors closing against jambs too shallow for the 1-3/8" throw of the MS1850SN swinging door deadbolt.

#### ▼ Bolt

5/8" x 1-3/8" with 13/16" throw. Eight-ply laminated stainless steel with Alumina Ceramic core defeats any hacksaw attack (including so-called super hacksaws) while hook shape repels prybar attempts to "spread" door from its jamb or lift it off its track.

#### ▼ Strike

See back page for dimensions of strike slot which can be cut in metal jamb. Trim plate, box strike and armored strike are also available. (See page SW-16).

#### ▼ Operation

360° turn of key or thumbturn throws or retracts the counterbalanced bolt. Key can be removed only when bolt is in a positively locked or unlocked position. Lock accepts any standard 1-5/32" diameter mortise cylinder or thumbturn from either or both sides. Cylinder must have MS® dimensioned cam. (See page SW-32).



**ADAMS RITE**  
MANUFACTURING CO.

260 Santa Fe Street  
Pomona, California 91767  
(800) 872-3267 Fax: (800) 232-7329  
www.adamsrite.com

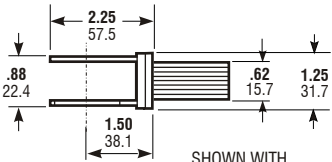


# MS1850SN-050 ANSI Size Deadbolt

## DIMENSIONS

**INCHES**  
**MILLIMETERS**

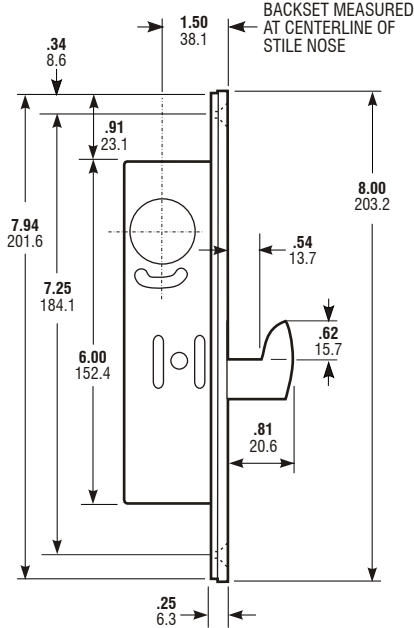
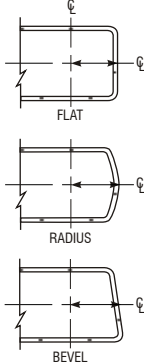
Nominal, subject to tolerance extremes.



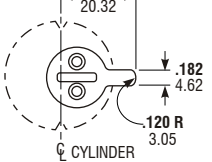
SHOWN WITH  
FLAT FACEPLATE

| ARMORED<br>FACEPLATE<br>1-1/4" x 8" |              |
|-------------------------------------|--------------|
| FLAT                                | MS1850SN-050 |
| RADIUS                              | MS1851SN-050 |
| LH BEVEL                            | MS1852SN-055 |
| RH BEVEL                            | MS1852SN-056 |

HOW BACKSET IS MEASURED



CAM TOLERANCE:  
+.005  
±0.13



### Cylinder Cam

MS1850SN-050 Series locks are operable by any standard 1-5/32" diameter mortise cylinder with special MS® cam dimensioned as shown. Cylinders with MS® cams can be readily obtained from most cylinder manufacturers. See page SW-32 for cylinder make and trim ring information.

## HOW TO ORDER

Specify quantity and the following information.  
Order related hardware separately.

### Faceplate Shape

**1850SN** Flat  
**1851SN** Radius  
**1852SN** Bevel

### Handing

**455** LH or RHR  
**456** RH or LHR  
**450** Non-Handed\*

# MS 1850SN - 450 - 628

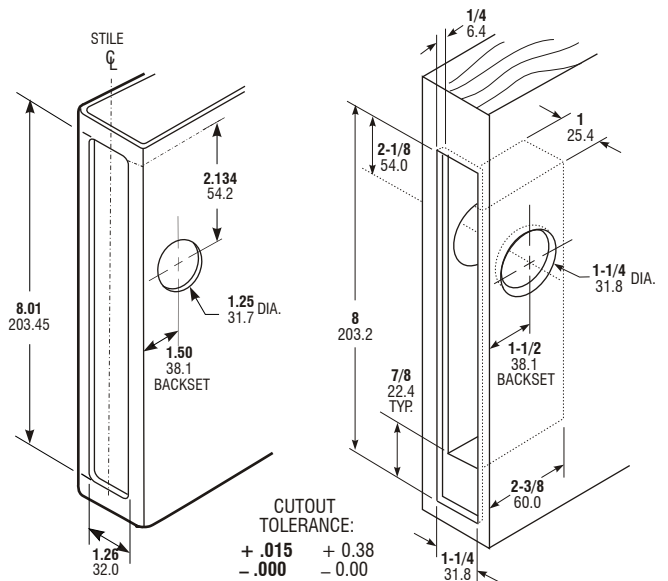
### Finish

**628** Clear Anodized  
**313** Dark Bronze Anod.  
**335** Black Anodized

\*Any flat or radius face.

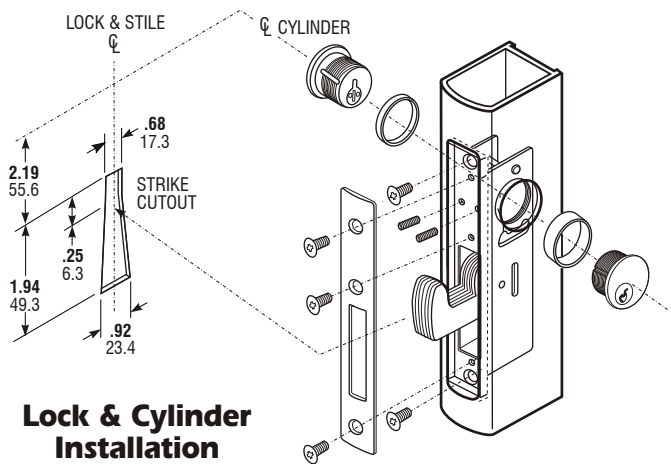
Consult factory about special finishes.

## INSTALLATION



### Stile Preparation

### Wood Door Preparation



### Lock & Cylinder Installation

## OPTIONS

Choice of faceplate finish and shape (flat, radiused or bevel cross-section to match door nose) must be specified.

## STANDARD PACKAGE

Individually boxed with machine screws for mounting. Cylinders and/or thumbturn available at extra cost. Shipping weight: 1-1/2 lbs. Also available in a 20 unit pack for volume users.