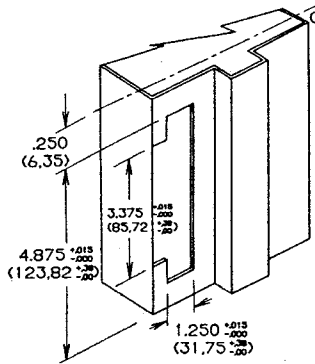
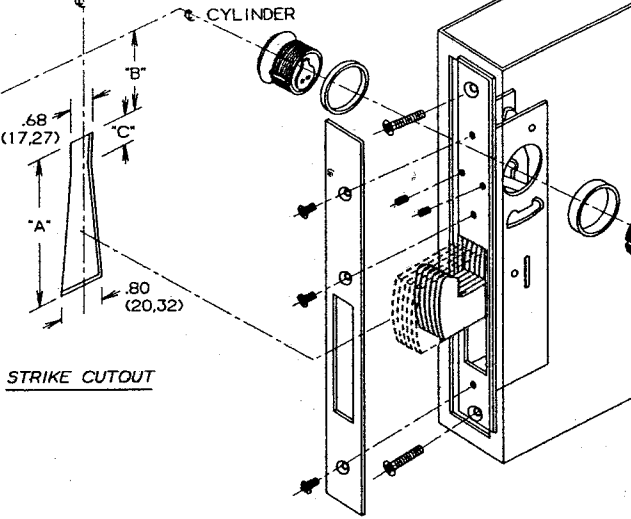


**JAMB
PREPARATION
FOR ANSI STRIKE**



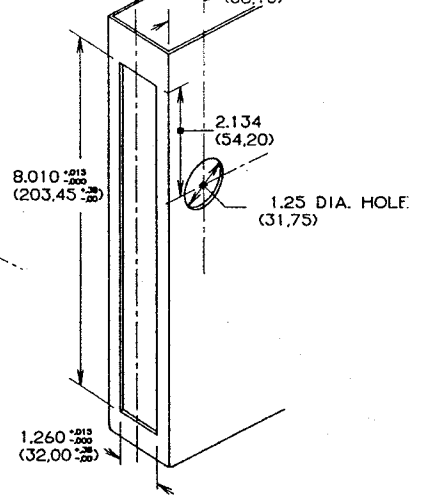
LOCK & STILE



STRIKE CUTOUT

**LOCK & CYLINDER
INSTALLATION**

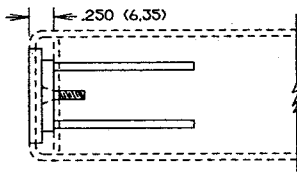
STILE



LOCK STILE PREPARATION

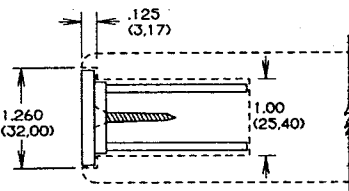
BOLT TYPE	"A"	"B"	"C"
REGULAR BOLT	3.38 (85.85)	1.38 (33.03)	1.00 (25.40)
SHORT BOLT	2.75 (69.85)	1.38 (33.03)	1.00 (25.40)
HOOK BOLT	1.94 (49.28)	2.19 (55.63)	.25 (6.35)

1



**HOLLOW METAL DOOR
LOCK INSTALLATION**

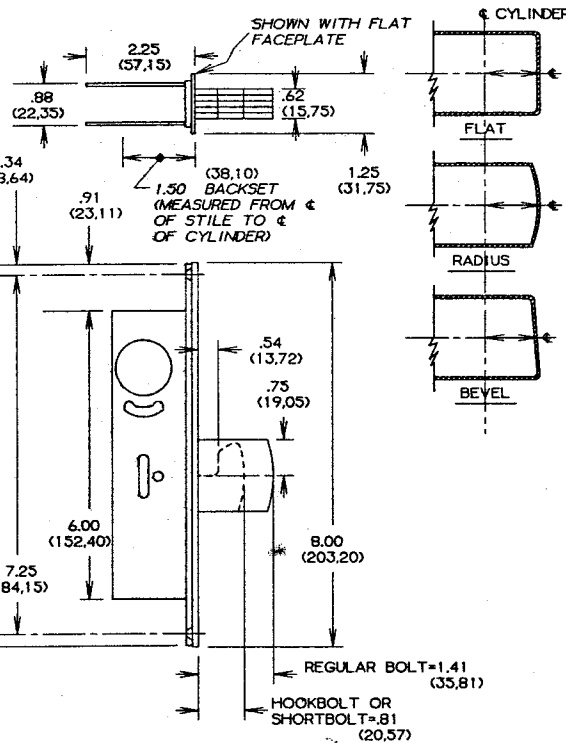
- #12-24 x 1/2 (6.35 x 12) FLAT HEAD MACHINE SCREWS FURNISHED WITH LOCK.
- LOCK SUPPORT SHALL BE PROVIDED BY DOOR MANUFACTURER.



**WOOD DOOR
LOCK INSTALLATION**

- #12 FLAT HEAD WOOD SCREWS REQUIRED.
- STANDARD PACKAGING INCLUDES MACHINE MOUNTING SCREWS. SPECIFY WOOD SCREWS WHEN REQUIRED.

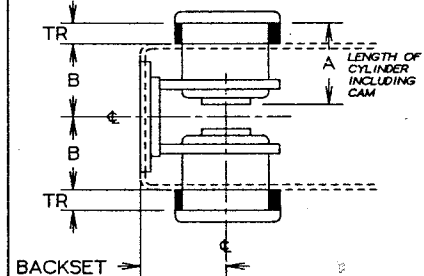
3



REGULAR BOLT=1.41 (35.81)

HOOKBOLT OR SHORTBOLT=.81 (20.57)

CYLINDER TRIM RING

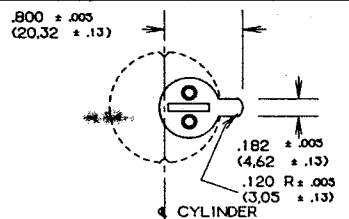


TRIM RING THICKNESS (TR) WILL VARY WITH SPECIFIC CYLINDER MAKE, NUMBER OF PINS, & SPECIFIC DOOR THICKNESS. TO DETERMINE TRIM RING THICKNESS USE THE FOLLOWING FORMULA:

$$TR = A + 125 - B$$

(3.17)

2



MS1850ANSI SERIES LOCKS ARE OPERABLE BY ANY STANDARD 1 3/32" DIAMETER (29.37) MORTISE CYLINDER WITH SPECIAL MS CAM DIMENSIONED AS ABOVE. CYLINDERS WITH MS CAMS CAN BE READILY OBTAINED FROM MOST CYLINDER MANUFACTURERS.

**RELATED HARDWARE AND
OPTIONAL ACCESSORIES**

- ARMORED STRIKES (STEEL REINFORCED) ARE AVAILABLE FOR USE IN ALUMINUM OR HOLLOW METAL JAMBS.
 - TRIM STRIKES (WITH OR WITHOUT DUST BOSS) ARE AVAILABLE FOR USE IN ALUMINUM, HOLLOW METAL, OR WOOD JAMBS. SEE 4000, 4001 AND 4002 FOR INFORMATION ON ITEMS 1 AND 2 ABOVE.
 - CYLINDERS ARE AVAILABLE FROM ADAMS RITE KEYPED DIFFERENT OR KEYPED ALIKE IN SETS.
 - CYLINDER GUARD - SPECIFY MS 4043
 - EXIT INDICATOR - SPECIFY 4089
- SEE CATALOG FOR ADDITIONAL DETAILS

AVAILABLE FACEPLATES	CATALOG NUMBER
FLAT	1850ANSI
RADIUS	1851ANSI
LEFT BEVEL	1852ANSI LH
RIGHT BEVEL	1852ANSI RH

4

DATE: REDRAWN WITHOUT CHANGE 1-16-84

ADAMS RITE MANUFACTURING COMPANY CITY OF INDUSTRY, CALIF. 91749

MS1850SN-050

5