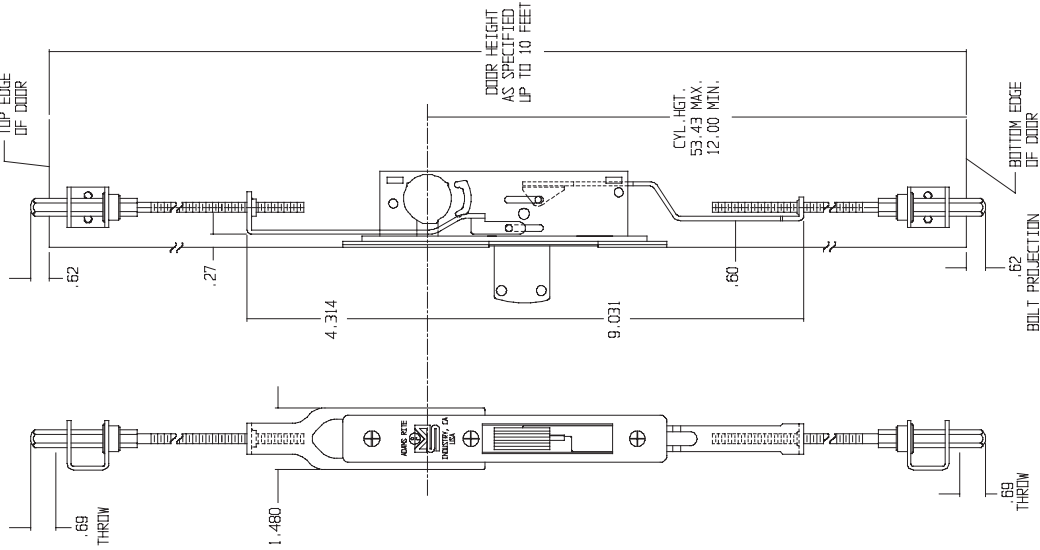
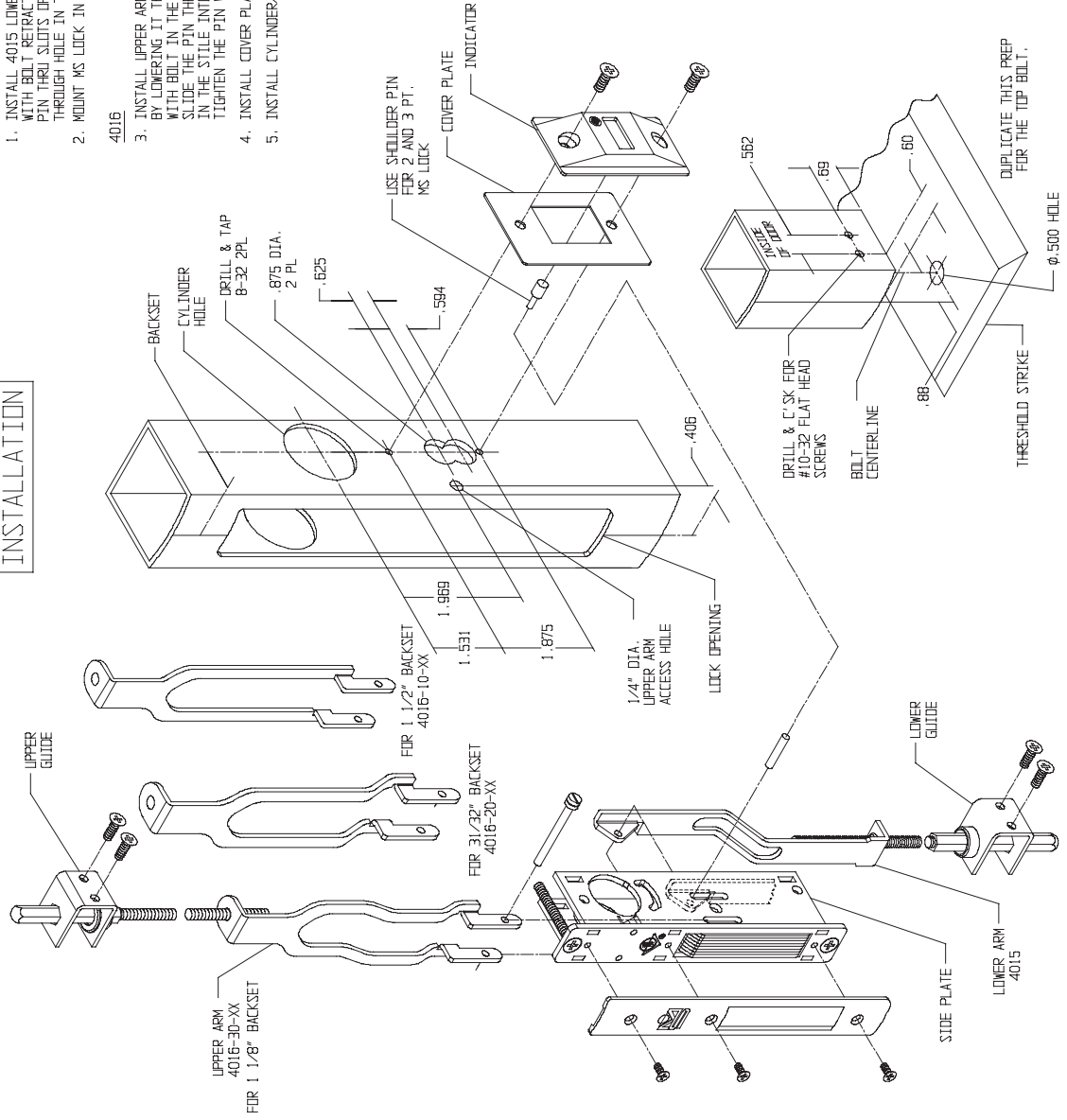


DIMENSIONS



INSTALLATION

- 4015
1. INSTALL 4015 LOWER ARM IN LOCK FROM REAR WITH BOLT RETRACTED AS SHOWN. DRIVE ROLL PIN THRU SLOTS OF SIDE PLATES, PASSING THROUGH HOLE IN THE LOWER ARM.
 2. MOUNT MS LOCK IN POSITION.
- 4016
3. INSTALL UPPER ARM OVER SIDE PLATES BY LOWERING IT THROUGH THE STILE WITH BOLT IN THE EXTENDED POSITION. SLIDE THE PIN THROUGH THE 1/4" HOLE IN THE STILE INTO UPPER ARM AND THE LOCK. TIGHTEN THE PIN WITH BLADE SCREW DRIVER.
 4. INSTALL COVER PLATE AND EXIT INDICATOR.
 5. INSTALL CYLINDER/THUMBTURN AS REQUIRED.



ADAMS RITE MANUFACTURING COMPANY
CITY OF INDUSTRY, CA 91749

4015/4016, 3-POINT LOCK
(STANDARD STILES)