



- PIN Access
- Mechanical Pushbutton Lock
- Single Access Code
- Exit Trim
- Thumbturn

SIMPLEX®

Features

Access Control:	Mechanical pushbutton lock—eliminates problems and costs associated with issuing, controlling, and collecting keys and cards. Provides exterior access by combination, while allowing free egress at all times by interior exit device (not supplied).
No Battery:	Fully mechanical lock eliminates the material and labor expense of battery replacements
Locking Device Options:	<u>Rim Exit Device:</u> Compatible with most leading brands of Exit Devices (Exit Device and Mounting hardware not included)
Exit Device Compatibility:	<p>*For the most accurate listing of compatible exit devices, see this page on our website.</p> <ul style="list-style-type: none"> • American Device 6300 Series, 6303 Series • Corbin 21, 22, 25, 26NT, 27K, 29, 29-1/4, 29M2, 29-1/2M2, 29NTM2, 29D20, LA29, 39, 39EL, 39LLD, 390, LA39 • Detex Advantex Series 10, 20, 21, 40, 50, 51 • Magno Krom LHR only: 500-4, 550-4, 650-4, 1500-4, 1550-4, 1650-4; RHR only: 600-3 • Monarch 18RBA, 18RP, 18VP, F18RBA, F18RP, F18VP, FXXRBA, FXXRP, FXXVP, XXRBA, XXRP, XXVP • Precision Hardware FL-D103; RHRB only 810-H; RH or LH: 103, R103, D203, H-203, 1103, D1203, H1203 • Russwin 365, 3651/4, LT365, 370, 372, LA372, 375, LT375, 377, 382, 384, 385, 388, 572, 572EL, 572ELD, U572, LA572 • Sargent 2813, 2804, 6804, 12-6804, 9804RHRB, 12-9804LHRB, 9898E, 9898K • Von Duprin 22 Rim, 22 Rim-F, 88 Rim, 88 Rim-F, 98 Rim, 98 Rim-F, 99 Rim, 99 Rim-F; 2227, 2227-F, 9827, 9827-F, 9847, 9847-F, 9927-F, 9947-F • Yale 1500 Series, 7000 Series <p>• Cannot be used with surface-mounted Exit Devices with counterclockwise rotating hubs, with thumb-operated Mortise design Exit Devices, or most vertical rod Exit Devices</p> <p>ATTENTION: Compatibility is subject to change if modifications are made by Exit Device manufacturers without Kaba Access Control's knowledge</p>
Number of Codes:	Single access code—one easy to manage code for all users
Programming:	Lock is easily programmed via keypad without removing lock from the door
Handing:	For non-handed or clockwise-rotating (adjustable up to 90°) Exit Device hubs only
Operation Modes:	Single credential—access
Economical:	A cost effective access control solution
Tailpiece:	2 3/4" (70 mm) adjustable tailpiece for Exit Device operation from outside; optional 5" (127 mm) tailpiece available
Exit Device Hub Rotation:	Adjustable up to 90° clockwise for right hand (adjustable cam)

Mechanical Features

Construction:	Heavy-duty, cast front housing
Numeric Keypad:	Vandal resistant, solid metal pushbuttons
Handing:	For non-handed or clockwise-rotating (adjustable up to 90°) Exit Device hubs only
Finish:	Satin Chrome 26D (626)
Control:	6-pin tumbler cylinder keys for combination change access; keyed differently; optional keyed alike or master keyed
Latch:	Not supplied (see compatibility list on previous page)
Strike:	Not supplied (supplied with exit device)
Minimum Stile Recommended:	3 1/8" (79 mm)
Weight:	3.5 lbs. (1.6 kg)

Installation

Door Preparation:	Exit Device preparation may require recessed through bolting; 2015 installation is based on centerline of mating exit device hub
Door Thickness:	1 3/8" (35 mm) to 2 1/2" (64 mm); optional 5" (127 mm) tailpiece (purchased separately)
Items Supplied Include:	Installation manual, full-scale template, combination change keys, and required lock installation hardware only

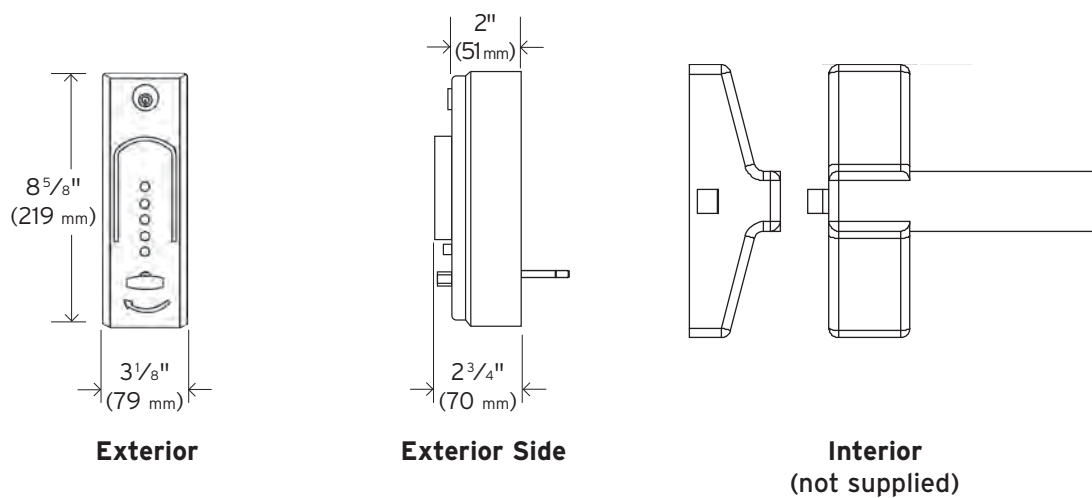
Certification and Testing

Durability:	Highly weather resistant
--------------------	--------------------------

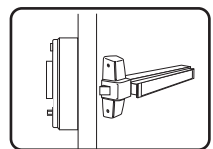
Warranty

Warranty:	1-year warranty
------------------	-----------------

Exit Trim



2015



- Combination Entry
- Egress with Exit Device (Not Supplied)
- Compatible with Many Rim Mounted Exit Devices
- Exterior Combination Change (Only)