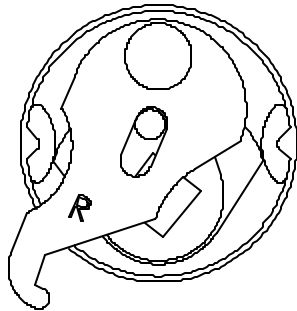


4580 CAM DISC HANDING

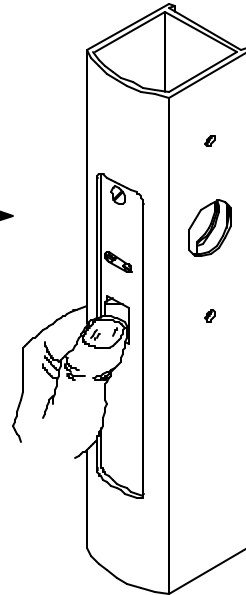
LOOKING AT THE EDGE OF THE DOOR, DETERMINE ON WHICH SIDE THE HANDLE OR OTHER OPERATOR IS TO BE INSTALLED.



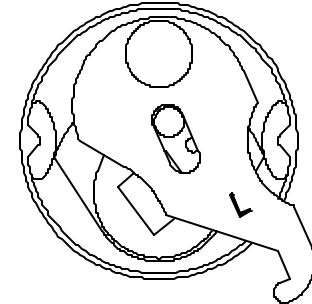
THE CAM DISC MUST BE HANDED AS SHOWN.



ON THIS SIDE



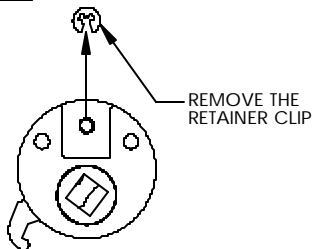
ON THIS SIDE



THE CAM DISC MUST BE HANDED AS SHOWN.

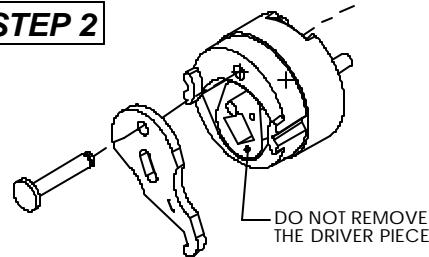
INSTRUCTIONS FOR CHANGING HAND OF 4580 CAM DISC

STEP 1



REMOVE THE RETAINER CLIP

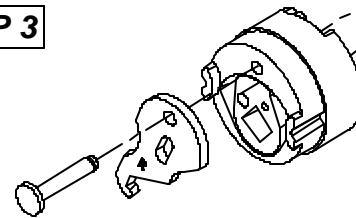
STEP 2



PULL THE CAM PIVOT PIN OUT OF THE CAM DISC AS SHOWN.

DO NOT REMOVE THE DRIVER PIECE

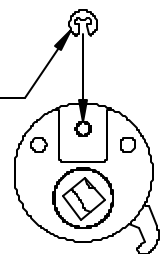
STEP 3



TURN THE CAM OVER AND PUSH THE CAM PIVOT PIN THRU THE CAM AND INTO THE CAM DISC AS SHOWN.

STEP 4

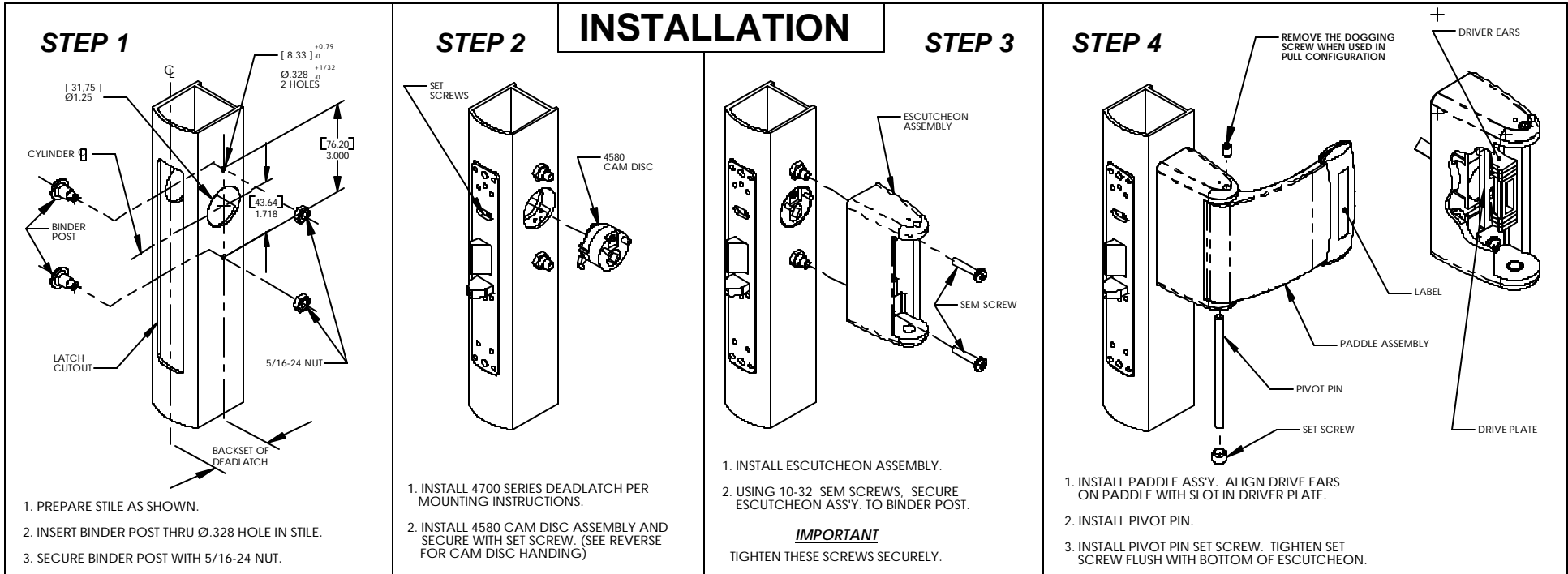
SNAP THE RETAINER CLIP INTO THE GROOVE ON THE CAM PIVOT PIN.



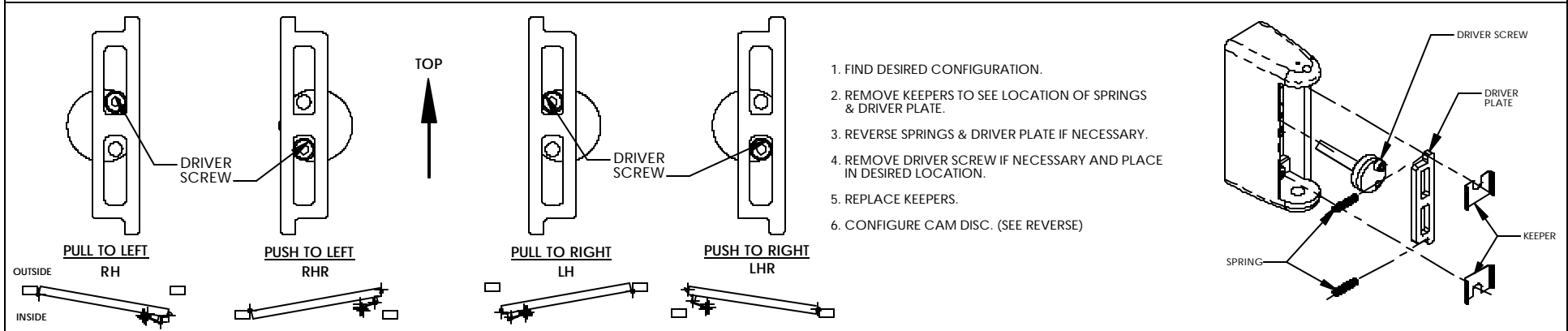
ADAMS RITE MANUFACTURING COMPANY

260 SANTA FE STREET, POMONA CA 91767

4591 PADDLE OPERATOR



INSTRUCTIONS FOR CHANGING HAND



ADAMS RITE MANUFACTURING COMPANY	260 SANTA FE STREET, POMONA CA 91767	<h1 style="margin: 0;">4591 PADDLE OPERATOR</h1>
---	---	--